

The KnoxVault 4400 is a secure, high capacity key lock box trusted by first responders, property owners, and universities. Store up to 50 keys, access cards and/or emergency plans to quickly gain rapid emergency access to large business and industrial facilities and campuses.



FEATURES

- ✓ Large capacity, storing up to a 50 keys. Access cards, entry items, emergency planning documents, and Knox FDC Wrench may also fit in interior compartment but will reduce max key quantity.
- ✓ Built Knox-Rugged and secure: UL 1037, UL 1610, UL 1332, UL 437
- ✓ Finished with Knox-Coat® to protect four times better than standard powder coat
- ✓ Extreme weather-resistant door gasket

BENEFITS

- ✓ Allows rapid property access
- ✓ Reduces property damage
- ✓ Prevents forced entry into buildings
- ✓ Minimizes first responder injury
- ✓ Compliant to National Fire Code (NFPA, IFC, IBC)

OPTIONS

- ✓ Knox Tamper Alert connects to building's alarm system for extra security
- ✓ Mount types: Recessed and Surface
- ✓ 3 color options: Black, Aluminum, Dark Bronze
- ✓ Dual lock configuration

ACCESSORIES

- ✓ Multi-Purpose Switch for use on electrical doors, gates and other electrical equipment
- ✓ Recess Mounting Kit for new concrete or masonry construction
- ✓ Public Safety Labels
- ✓ Tag-Out Tamper Seals
- ✓ Key Tags
- ✓ Key Rings

ORDERING SPECIFICATIONS

To insure procurement and delivery of the KnoxVault 4400, it is suggested that following specification paragraph is used:

KnoxVault surface/recessed mount with/without UL Listed Knox Tamper Alert. 1/4" plate steel housing, 5/8" thick steel door with interior gasket seal and stainless steel door hinge. Vault & lock UL Listed. Lock has 1/8" thick stainless steel dust cover with tamper seal mounting capability. Vault has anti-theft re-locking mechanism with drill resistant hard-plate lock protector.

Exterior Dimensions: Surface Mount - 7"H x 7"W x 5"D
 Recessed Mount Flange - 9 1/2"H x 9 1/2"W

Lock: UL Listed. Double-action rotating tumblers and hardened steel pins accessed by a biased cut key.

Finish: Knox-Coat® proprietary finishing process

Color: Black, Dark Bronze or Aluminum

P/N: KnoxVault 4400 (mfr's cat. ID)

Mfr's Name: KNOX COMPANY



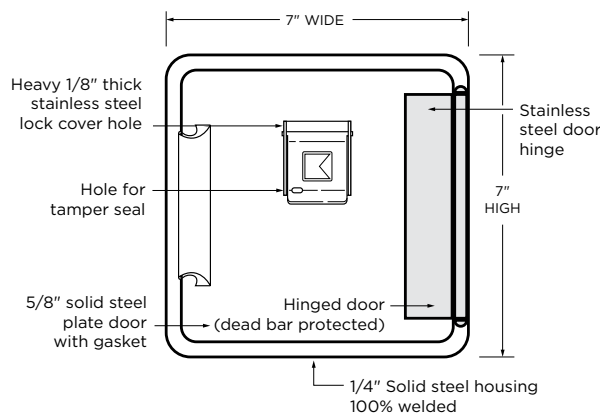
WEIGHT:

Surface Mount - 28 lbs
 Recessed Mount - 29 lbs

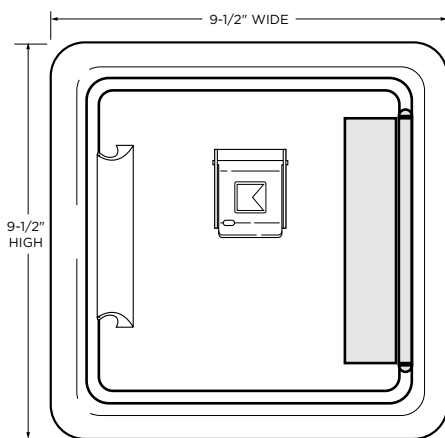
DIMENSIONS:

Surface Mount Body - 7"H x 7"W x 5"D
 Recessed Mount Flange - 9 1/2"H x 9 1/2"W

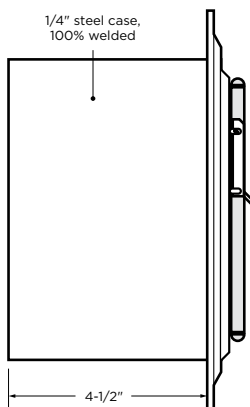
SURFACE MOUNT - FRONT VIEW



RECESS MOUNT - FRONT VIEW



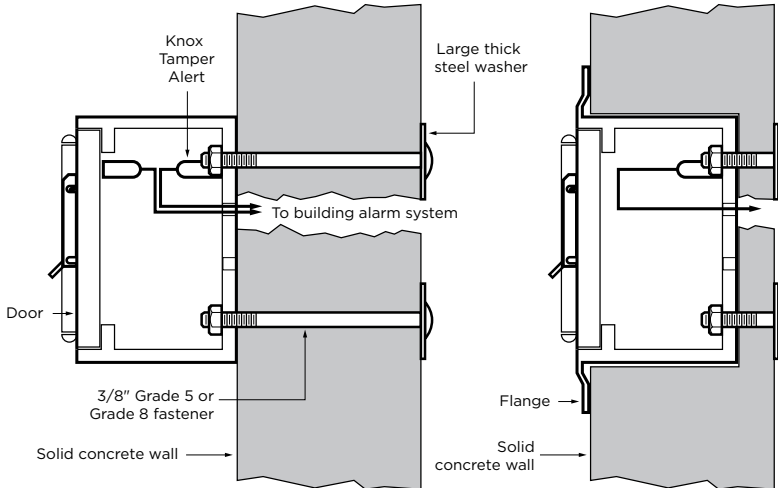
SIDE VIEW



GENERAL MOUNTING INSTRUCTIONS

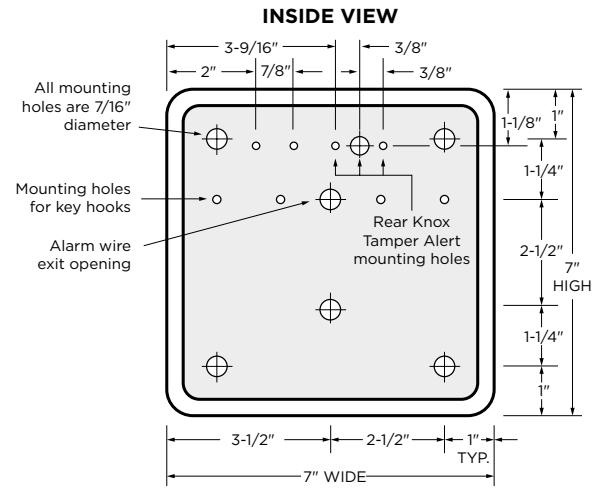
Suggested minimum mounting height, 6 feet above ground.

ATTENTION: KnoxVault is a very strong device that **MUST** be mounted properly to ensure maximum security and resist physical attack.



KnoxVault 4400 Surface Mount

KnoxVault 4400 Recessed Mount



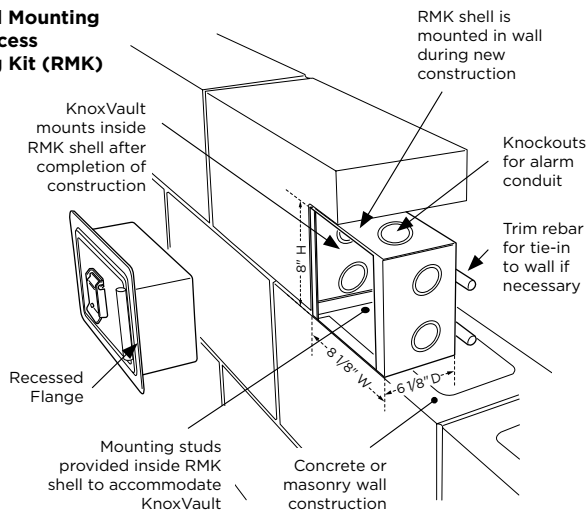
RECESS MOUNTING KIT AND INSTALLATION INSTRUCTIONS

The Recess Mounting Kit (RMK) includes shell housing and mounting hardware, which may only be used for recessed models to cast-in-place within new concrete or masonry construction. The KnoxVault is mounted into the shell housing after construction is completed.

RECESS MOUNTING KIT DIMENSIONS

Rough-in Dimensions:
8-1/2\"H x 8-1/2\"W x 7\"D

Recessed Mounting Using Recess Mounting Kit (RMK)



IMPORTANT:

Care should be taken to ensure the front of the Recess Mounting Kit (RMK) shell housing, including the cover plate and screw heads, is flush with the wall. The RMK must be plumbed to ensure vertical alignment of the vault.

ABOUT KNOX COMPANY

Over forty years ago, a unique concept in rapid access for emergency response was born. The KnoxBox®, a high-security key lock box, was designed to provide rapid access for emergency responders to reduce response times, minimize injuries and protect property from forced entry.

Today, one revolutionary lock box has grown into a complete system providing rapid access for public safety agencies, industries, military, and property owners across the world. The Knox Company is trusted by over 14,000 fire departments, law enforcement agencies, and governmental entities.

KNOX COMPANY
1601 W. DEER VALLEY RD
PHOENIX, AZ 85027

T. 800.552.5669

F. 623.687.2290

KNOXBOX.COM
INFO@KNOXBOX.COM